



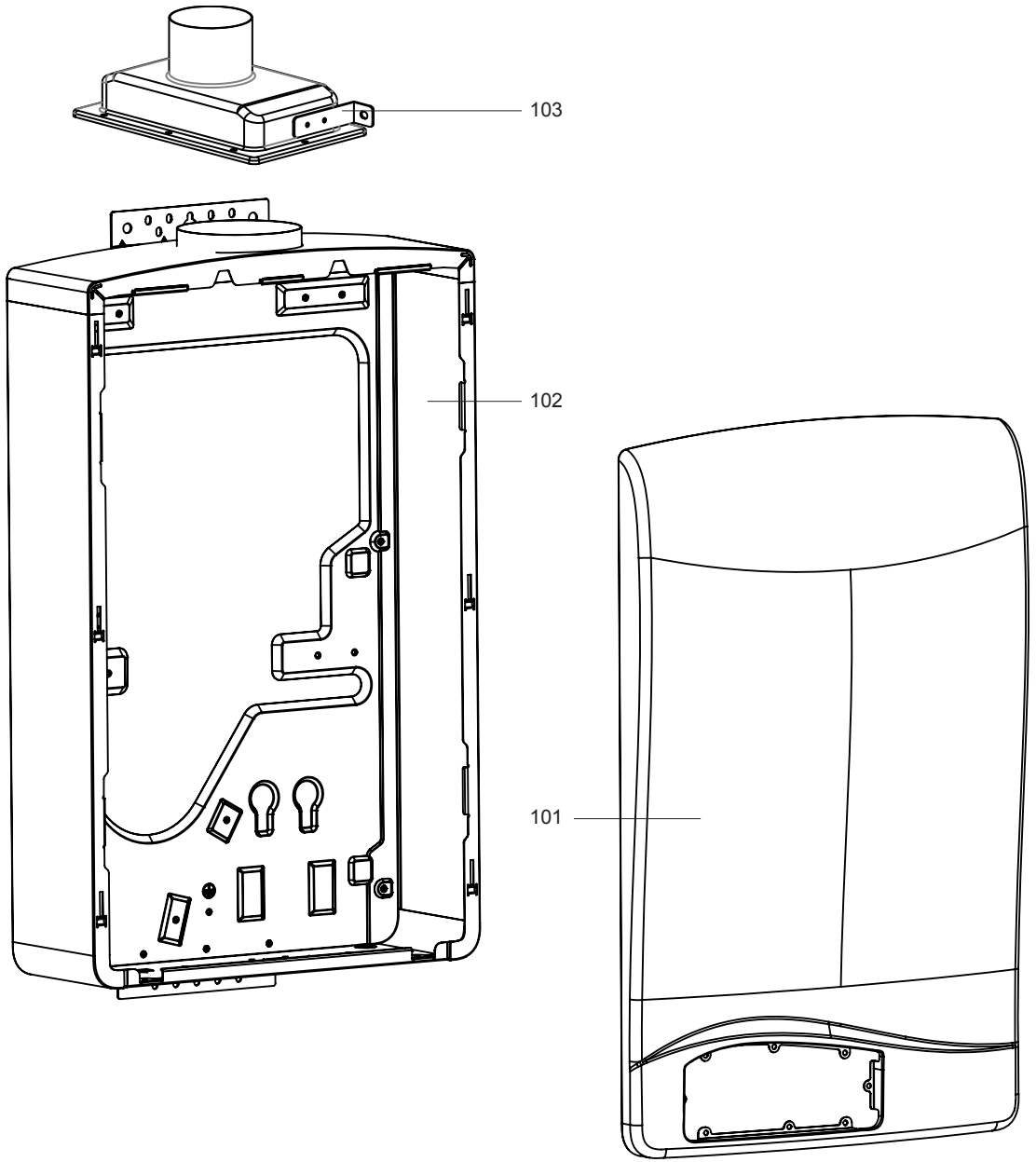
SPARE PARTS EXPLODED VIEW  
INSTANTANEOUS GAS WATER HEATERS  
Model  
**NEXT EVO SFT EU**

R8217608-01 - 27/07/2016

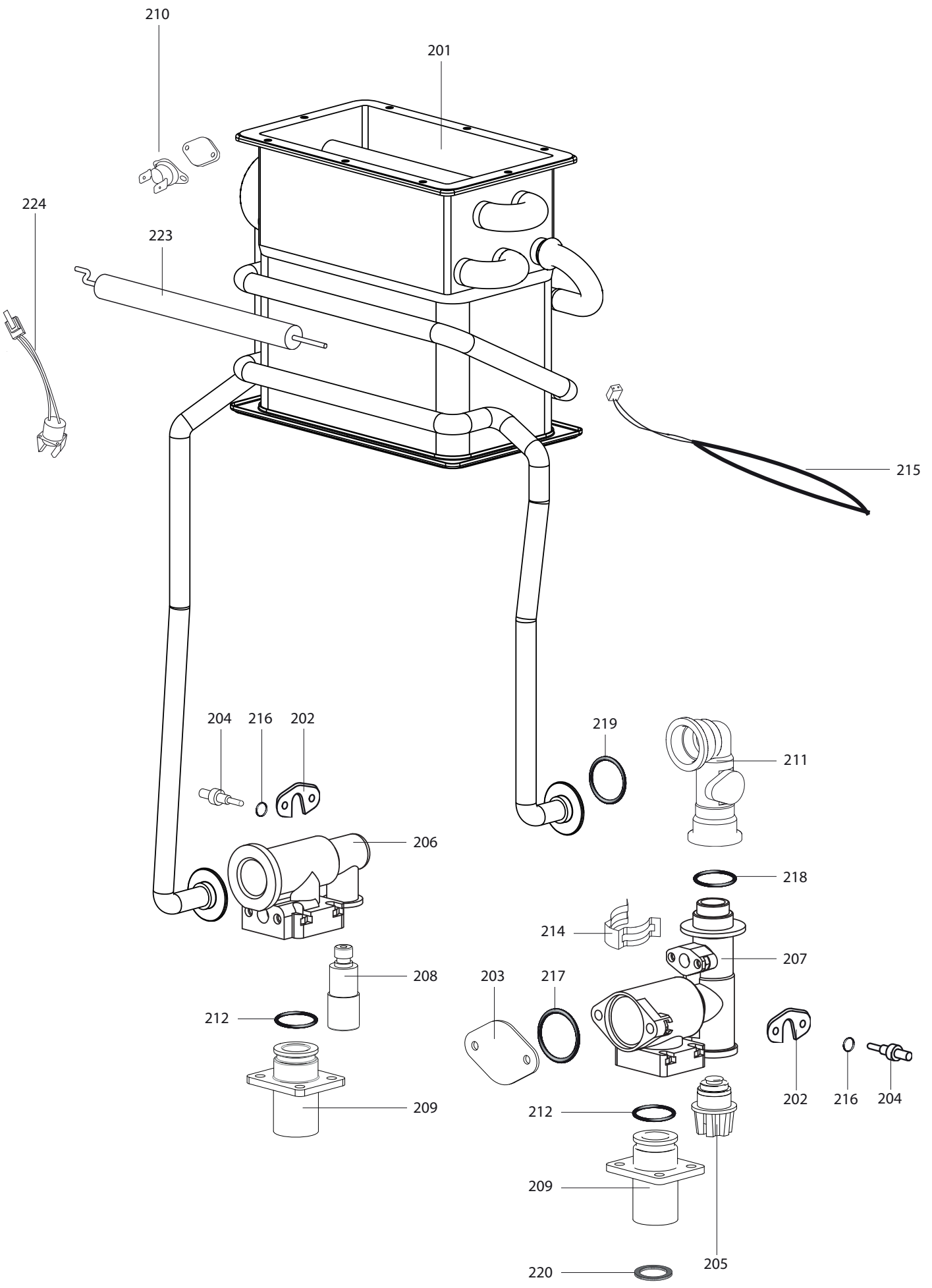
NEXT EVO SFT 11 NG EXP

Instantaneous Gas Water Heaters

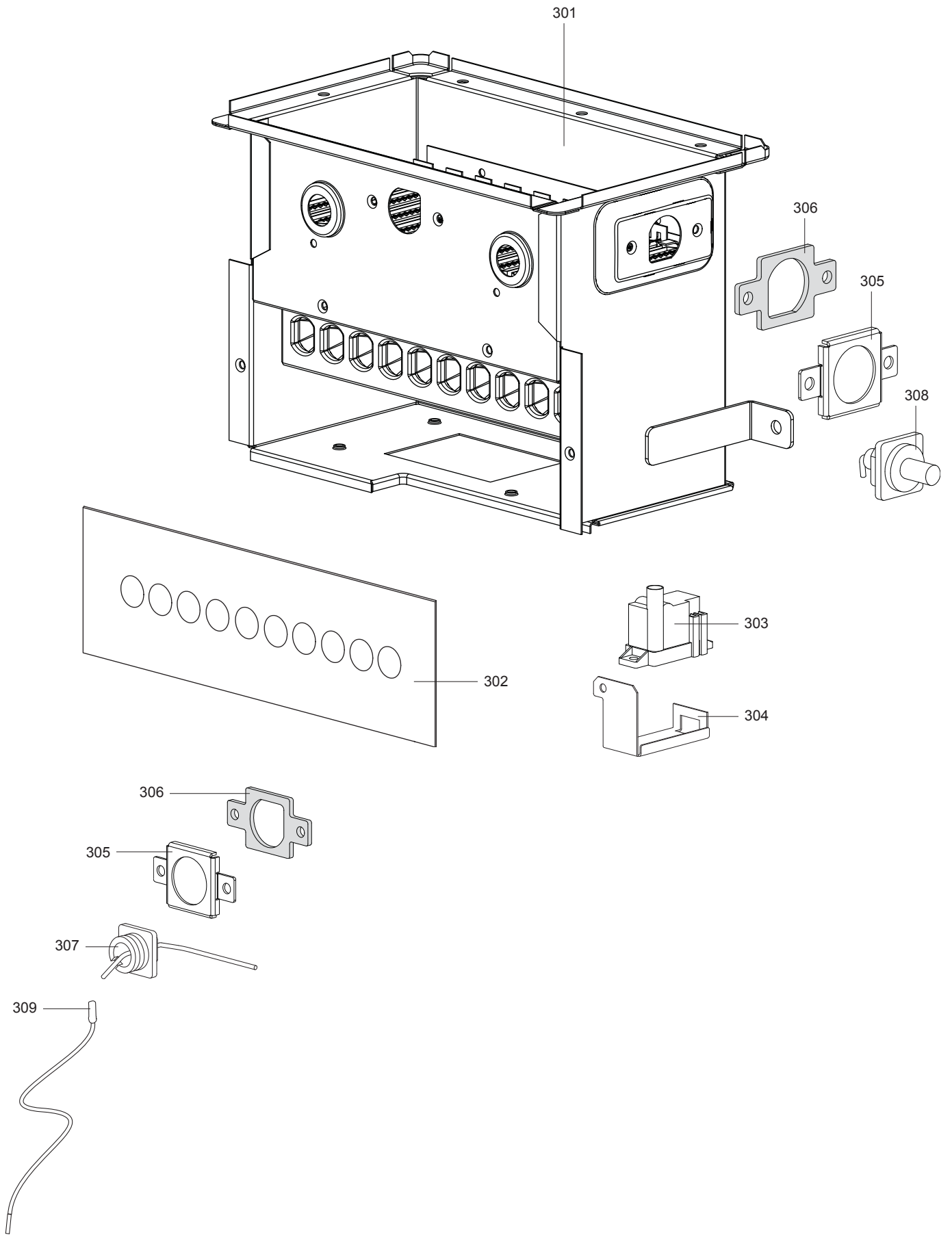
1	3632271	NEXT EVO SFT 11 NG EXP	08-2016	-
Col	Reference	Model type	Begin	End



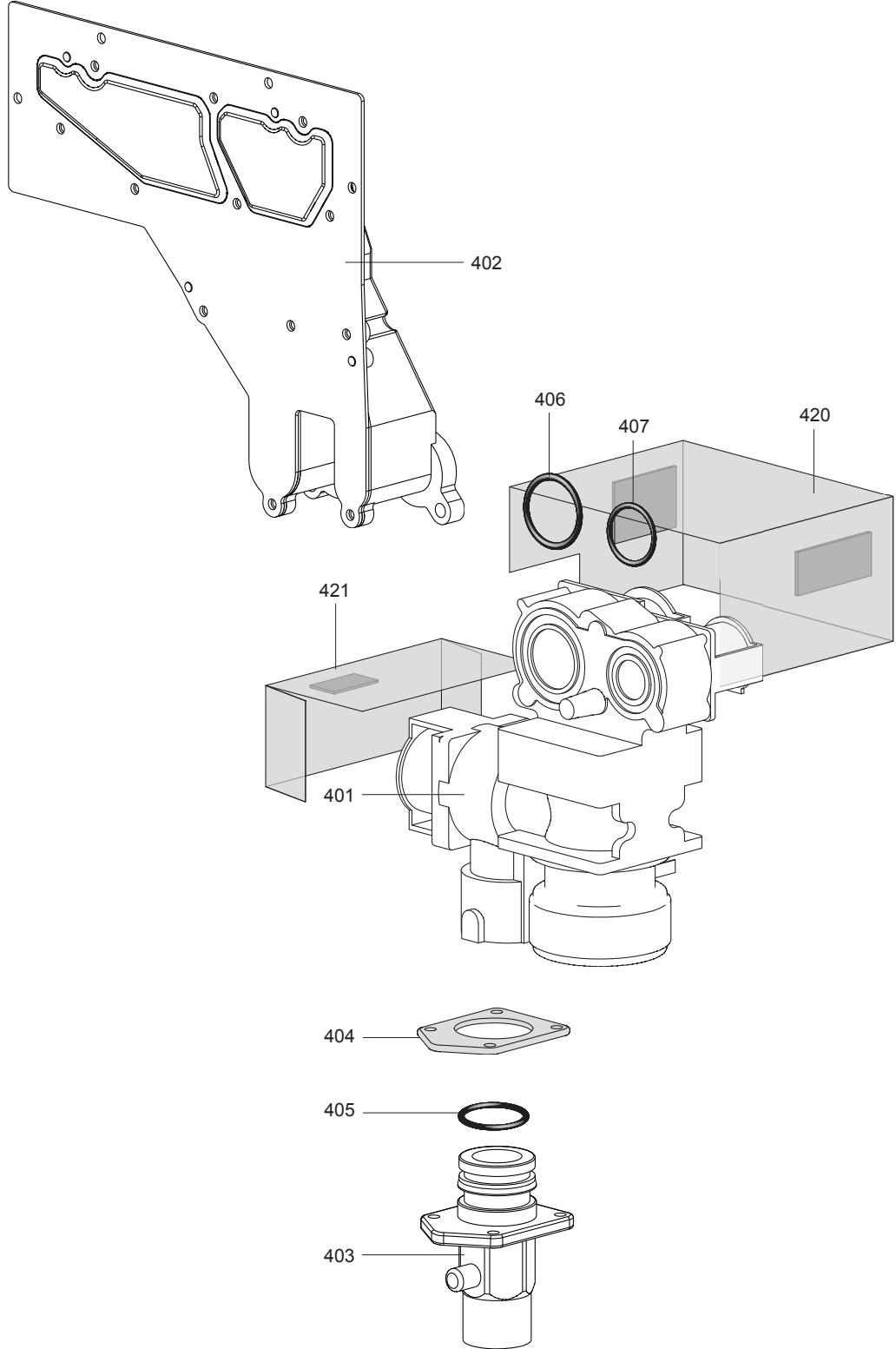






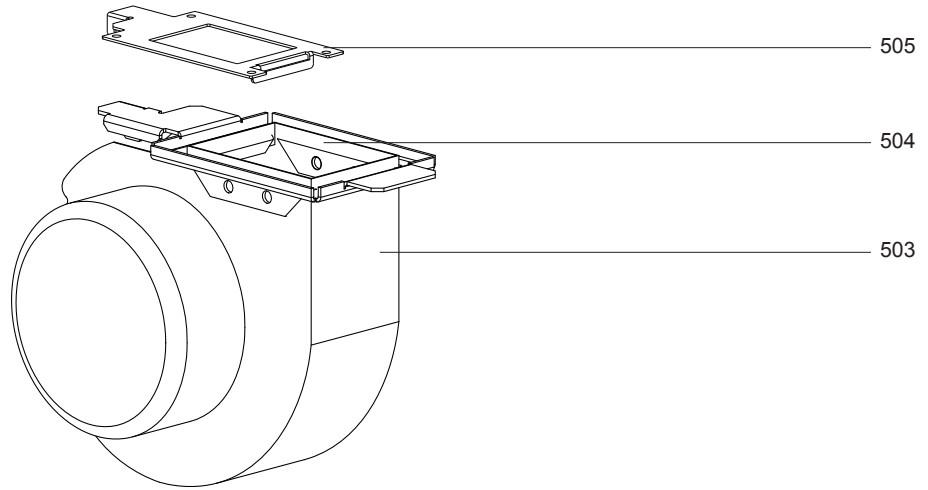




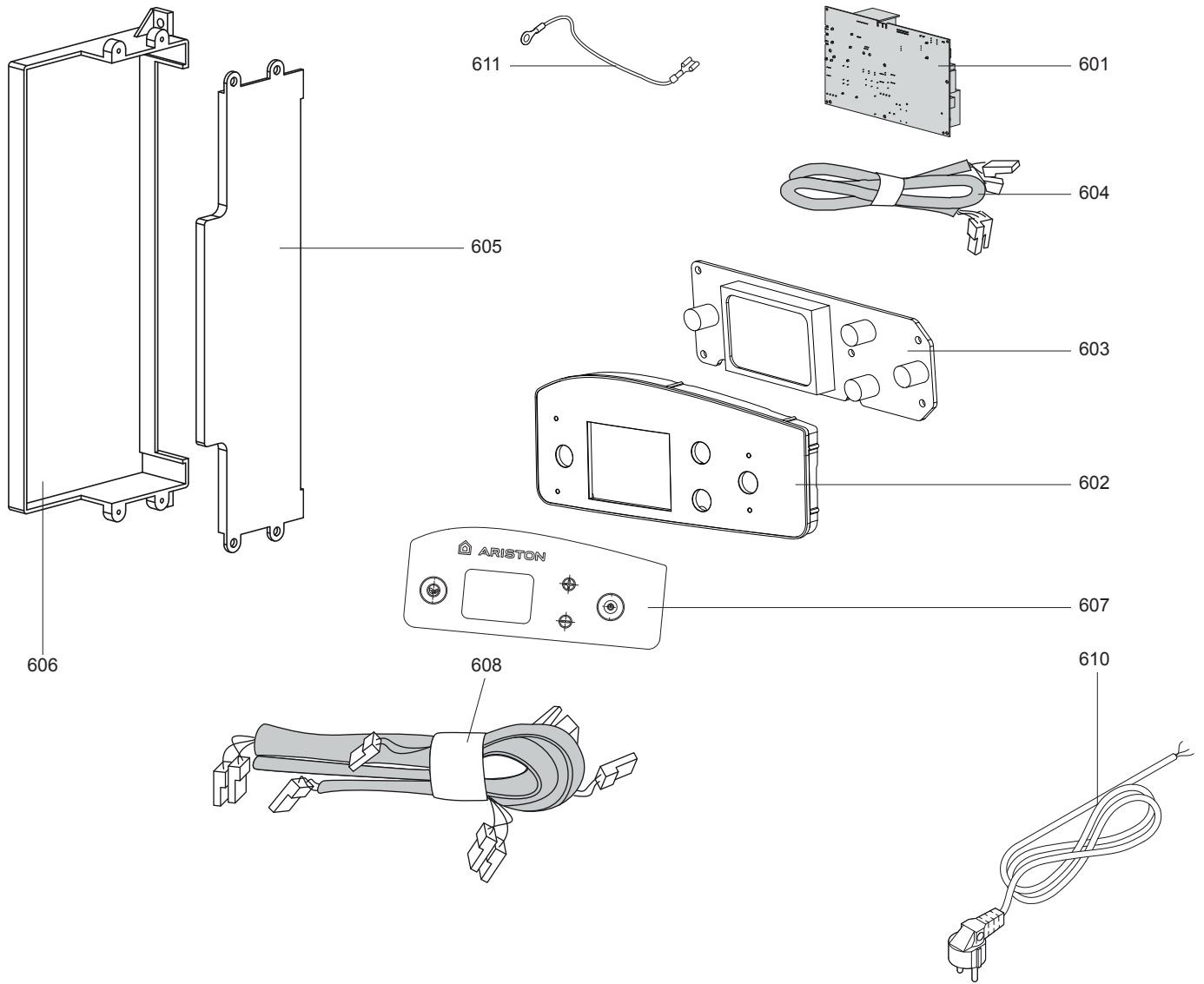








600





## LIST OF THE ABBREVIATIONS

HW .....	: Hot water.
CW .....	: Cold water.
C .....	: Ceramic resistance (normal heating).
Ca .....	: Ceramic resistance (accelerated heating)
TP .....	: Immersion heater.
1F .....	: With fittings.
2F .....	: Without fittings.
3F .....	: With fittings and another outlet connection.
AMI .....	: With mixing valve.
SMI .....	: Without mixing valve.
PUISS .....	: Power of th appliance.
PN .....	: Appliance with normal pression.
LP .....	: Appliance with low pression.
PV .....	: Appliance with variable power.
PF .....	: Appliance with fixed power.

## IDENTIFICATION PLATE

### SERIAL NUMBER

6 Characters :  
Year of manufacture \_\_\_\_\_ 03 09 08 \_\_\_\_\_  
Month of manufacture

9 Characters :  
Year of manufacture \_\_\_\_\_ M 12 10 0606 \_\_\_\_\_  
Month of manufacture \_\_\_\_\_ Sequential number

14 Characters :  
SI-V-0B0 45 07 0001 \_\_\_\_\_  
Sequential number  
Year of manufacture : \_\_\_\_\_ → 6 → 2004  
Month of manufacture : → 25 → January 43 → July 7 → 2005  
13 → February 29 → August 8 → 2006  
32 → March 40 → September etc ...  
35 → April 38 → October  
39 → May 51 → November  
45 → June 12 → December  
Product model

15 Characters :  
Year of manufacture \_\_\_\_\_ 02 11 00001 007843 \_\_\_\_\_  
Month of manufacture \_\_\_\_\_ Code appareil  
Sequential number

21 Characters :  
3200050 XX 08115 0000001 \_\_\_\_\_  
Product reference \_\_\_\_\_ Sequential number  
Year (08) / Manufacturing day (115)

22 Characters :  
3200050 XX 070115 0000001 \_\_\_\_\_  
Product reference \_\_\_\_\_ Sequential number  
Year (07) / Month (01) / Manufacturing day (15)