



**ARISTON**

# SPARE PARTS EXPLODED VIEW STORAGE ELECTRIC WATER HEATERS

Model

## **ABS VLS EVO PW**

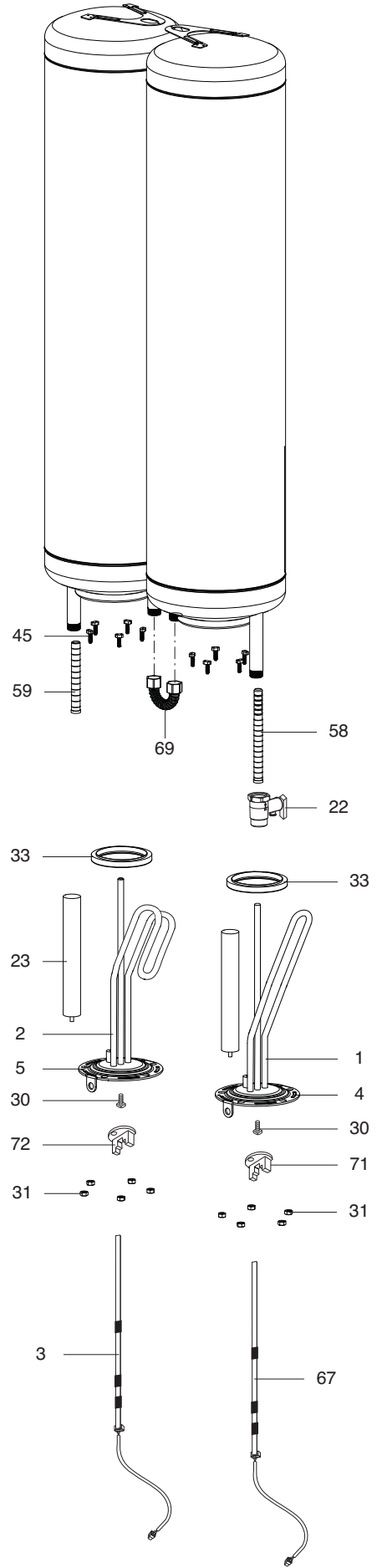
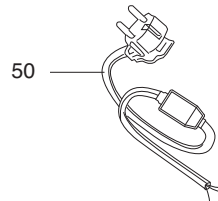
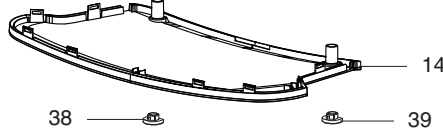
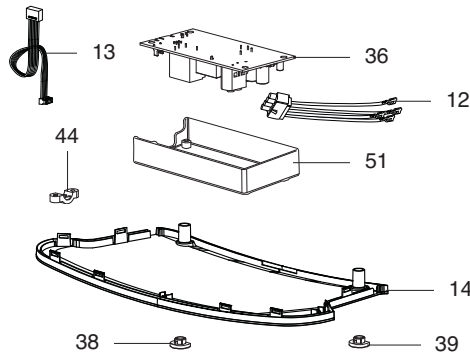
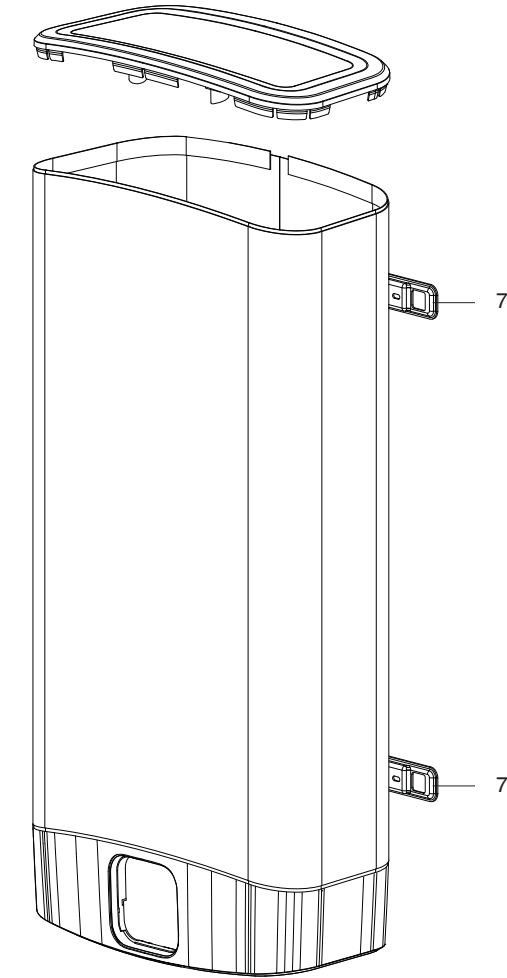
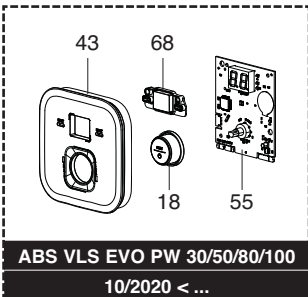
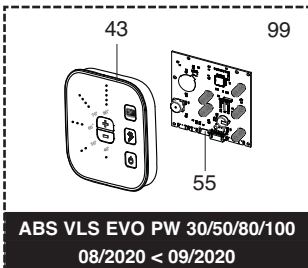
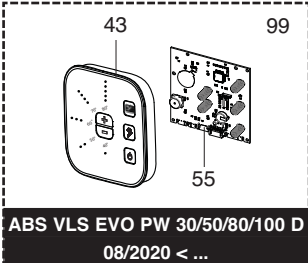
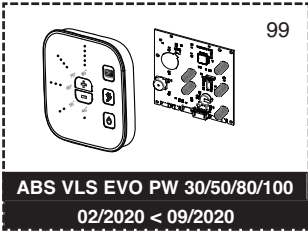
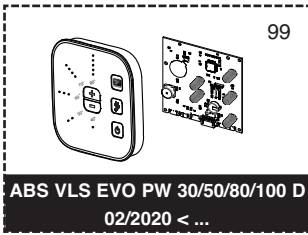
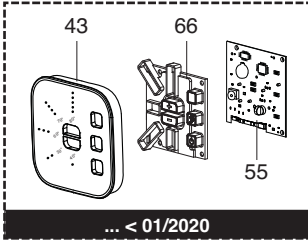
R8217301-08 - 18/12/2020

ABS VLS EVO PW

Storage Electric Water Heaters

<b>1</b>	3700435	ABS VLS EVO PW 30	12-2015	-
<b>2</b>	3700443	ABS VLS EVO PW 30 D	01-2016	-
<b>3</b>	3700436	ABS VLS EVO PW 50	12-2015	-
<b>4</b>	3700444	ABS VLS EVO PW 50 D	01-2016	-
<b>5</b>	3700437	ABS VLS EVO PW 80	12-2015	-
<b>6</b>	3700445	ABS VLS EVO PW 80 D	01-2016	-
<b>7</b>	3700438	ABS VLS EVO PW 100	12-2015	-
<b>8</b>	3700446	ABS VLS EVO PW 100 D	01-2016	-

Col	Reference	Model type	Begin	End
-----	-----------	------------	-------	-----



☉⇒	Description	Manf. Pt. N	Type																			From	to
				1	2	3	4	5	6	7	8	9	10	11	12	13	14	15	16	17	18		
0001	НАГРЕВАТЕЛЬНЫЙ ЭЛЕМЕНТ 1000W 230V	65180040		●	●	●	●	●	●	●	●	●	●	●	●	●	●	●	●				
0002	НАГРЕВАТЕЛЬНЫЙ ЭЛЕМЕНТ 1500W 230V	65180069		●	●	●	●	●	●	●	●	●	●	●	●	●	●	●	●				
0003	ДАТЧИК ТЕМПЕРАТУРЫ (OUTLET TANK)	65153300		●	●	●	●	●	●	●	●	●	●	●	●	●	●	●	●				
0004	ФЛАНЕЦ (5 БОЛТОВ)	65180108		●	●	●	●	●	●	●	●	●	●	●	●	●	●	●	●				
0005	ФЛАНЕЦ (5 БОЛТОВ)	65180071		●	●	●	●	●	●	●	●	●	●	●	●	●	●	●	●				
0007	КРОНШТЕЙН	65152905		●	●	●	●	●	●	●	●	●	●	●	●	●	●	●	●				
0012	КАБЕЛЬ (НАГР. ЭЛЕМЕНТ/ОСНОВНАЯ ПЛАТА)	65152901		●	●	●	●	●	●	●	●	●	●	●	●	●	●	●	●				
0013	КАБЕЛЬ ДИСПЛЕЯ	65115286		●	●	●	●	●	●	●	●	●	●	●	●	●	●	●	●				
0014	КРЫШКА ПЛАСТИКОВАЯ НИЖНЯЯ	65152909		●	●	●	●	●	●	●	●	●	●	●	●	●	●	●	●			12/20	
	КРЫШКА ПЛАСТИКОВАЯ НИЖНЯЯ	65152914		●	●	●	●	●	●	●	●	●	●	●	●	●	●	●	●			12/20	
	КРЫШКА ПЛАСТИКОВАЯ НИЖНЯЯ	65180437		●	●	●	●	●	●	●	●	●	●	●	●	●	●	●	●			01/21	
	КРЫШКА ПЛАСТИКОВАЯ НИЖНЯЯ	65180438		●	●	●	●	●	●	●	●	●	●	●	●	●	●	●	●			01/21	
0018	РУЧКА РЕГУЛИРОВКИ	65154717		●	●	●	●	●	●	●	●	●	●	●	●	●	●	●	●			10/20	
0022	ПРЕДОХРАНИТЕЛЬНЫЙ КЛАПАН (1/2" 8,5 БАР)	571730		●	●	●	●	●	●	●	●	●	●	●	●	●	●	●	●				
0023	МАГНИЕВЫЙ АНОД D:21,3 L:180 M5	65180015		●	●	●	●	●	●	●	●	●	●	●	●	●	●	●	●				
0030	ВИНТ М6Х12	993000		●	●	●	●	●	●	●	●	●	●	●	●	●	●	●	●				
0031	КОНТРГАЙКА М6	994140		●	●	●	●	●	●	●	●	●	●	●	●	●	●	●	●				
0033	ПРОКЛАДКА ФЛАНЦА	65111788		●	●	●	●	●	●	●	●	●	●	●	●	●	●	●	●				
0036	ОСНОВНАЯ ПЛАТА	65116249		●	●	●	●	●	●	●	●	●	●	●	●	●	●	●	●				
0038	ЗАГЛУШКА (ЛЕВАЯ)	65152906		●	●	●	●	●	●	●	●	●	●	●	●	●	●	●	●				
	ЗАГЛУШКА (ЛЕВАЯ)	65152912		●	●	●	●	●	●	●	●	●	●	●	●	●	●	●	●				
0039	ЗАГЛУШКА (ПРАВАЯ)	65152907		●	●	●	●	●	●	●	●	●	●	●	●	●	●	●	●				
	ЗАГЛУШКА (ПРАВАЯ)	65152913		●	●	●	●	●	●	●	●	●	●	●	●	●	●	●	●				
0043	ПАНЕЛЬ УПРАВЛЕНИЯ	65152957		●	●	●	●	●	●	●	●	●	●	●	●	●	●	●	●			01/20	
	ПАНЕЛЬ УПРАВЛЕНИЯ	65154488		●	●	●	●	●	●	●	●	●	●	●	●	●	●	●	●			08/20	
	ПАНЕЛЬ УПРАВЛЕНИЯ	65154488		●	●	●	●	●	●	●	●	●	●	●	●	●	●	●	●			08/20	
	ПАНЕЛЬ УПРАВЛЕНИЯ	65154715		●	●	●	●	●	●	●	●	●	●	●	●	●	●	●	●			10/20	
0044	ЗАЖИМ ДЛЯ КАБЕЛЯ	573266		●	●	●	●	●	●	●	●	●	●	●	●	●	●	●	●				
0045	ВИНТ М6Х20	65151225		●	●	●	●	●	●	●	●	●	●	●	●	●	●	●	●				
0050	КАБЕЛЬ ПИТАНИЯ С УЗО (16А 1,0м)	65150965		●	●	●	●	●	●	●	●	●	●	●	●	●	●	●	●				
0051	КОРОБКА ОСНОВНОЙ ПЛАТЫ	65152908		●	●	●	●	●	●	●	●	●	●	●	●	●	●	●	●				
0055	ПЛАТА ДИСПЛЕЯ	65116360		●	●	●	●	●	●	●	●	●	●	●	●	●	●	●	●			01/20	
	ПЛАТА ДИСПЛЕЯ	65120003		●	●	●	●	●	●	●	●	●	●	●	●	●	●	●	●			08/20	
	ПЛАТА ДИСПЛЕЯ	65120003		●	●	●	●	●	●	●	●	●	●	●	●	●	●	●	●			08/20	
	ПЛАТА ДИСПЛЕЯ	65120021		●	●	●	●	●	●	●	●	●	●	●	●	●	●	●	●			10/20	
0058	РАССЕКАТЕЛЬ ВОДЫ (1/2" Н=159)	65152176		●	●	●	●	●	●	●	●	●	●	●	●	●	●	●	●				
0059	РАССЕКАТЕЛЬ ВОДЫ (1/2" Н=100)	65152177		●	●	●	●	●	●	●	●	●	●	●	●	●	●	●	●				
0066	КНОПКИ УПРАВЛЕНИЯ	65152958		●	●	●	●	●	●	●	●	●	●	●	●	●	●	●	●			01/20	
0067	ДАТЧИК ТЕМПЕРАТУРЫ (INLET TANK)	65153301		●	●	●	●	●	●	●	●	●	●	●	●	●	●	●	●				
0068	LED ИНДИКАТОР	65154716		●	●	●	●	●	●	●	●	●	●	●	●	●	●	●	●			10/20	
0069	ТРУБКА СОЕДИНИТЕЛЬНАЯ	65152492		●	●	●	●	●	●	●	●	●	●	●	●	●	●	●	●				
0071	ИЗОЛЯТОР КЛЕММ ТЭНА (BLUE)	65180068		●	●	●	●	●	●	●	●	●	●	●	●	●	●	●	●				
0072	ИЗОЛЯТОР КЛЕММ ТЭНА (RED)	65180070		●	●	●	●	●	●	●	●	●	●	●	●	●	●	●	●				
0099	ПАНЕЛЬ УПРАВЛЕНИЯ + ПЛАТА ДИСПЛЕЯ	65120006		●	●	●	●	●	●	●	●	●	●	●	●	●	●	●	●			02/20	
	ПАНЕЛЬ УПРАВЛЕНИЯ + ПЛАТА ДИСПЛЕЯ	65120006		●	●	●	●	●	●	●	●	●	●	●	●	●	●	●	●			02/20	

## LIST OF THE ABBREVIATIONS

HW .....	: Hot water.
CW .....	: Cold water.
C .....	: Ceramic resistance (normal heating).
Ca .....	: Ceramic resistance (accelerated heating)
TP .....	: Immersion heater.
1F .....	: With fittings.
2F .....	: Without fittings.
3F .....	: With fittings and another outlet connection.
AMI .....	: With mixing valve.
SMI .....	: Without mixing valve.
PUISS .....	: Power of th appliance.
PN .....	: Appliance with normal pression.
LP .....	: Appliance with low pression.
PV .....	: Appliance with variable power.
PF .....	: Appliance with fixed power.

## IDENTIFICATION PLATE

### SERIAL NUMBER

**6 Characters :**  
 Year of manufacture 03 09 08 Manufacturing day  
 Month of manufacture

**9 Characters :**  
 Year of manufacture 5 9 12 0606 Sequential number  
 Month of manufacture

**14 Characters :**  
SI-V-0B0 45 07 0001  
 Sequential number  
 Year of manufacture : → 6 → 2004  
 Month of manufacture : → 25 → January 43 → July 7 → 2005  
 13 → February 29 → August 8 → 2006  
 32 → March 40 → September etc ...  
 35 → April 38 → October  
 39 → May 51 → November  
 45 → June 12 → December

**14 Characters :**  
111518 XX 000010  
 Month of manufacture Sequential number  
 Day of manufacture Year of manufacture

**15 Characters :**  
02 11 00001 007843  
 Year of manufacture Product reference  
 Month of manufacture Sequential number

**21 Characters :**  
3200050 XX 08115 0000001  
 Product reference Sequential number  
 Year (08) / Manufacturing day (115)

**22 Characters :**  
3200050 XX 070115 0000001  
 Product reference Sequential number  
 Year (07) / Month (01) / Manufacturing day (15)