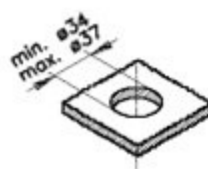
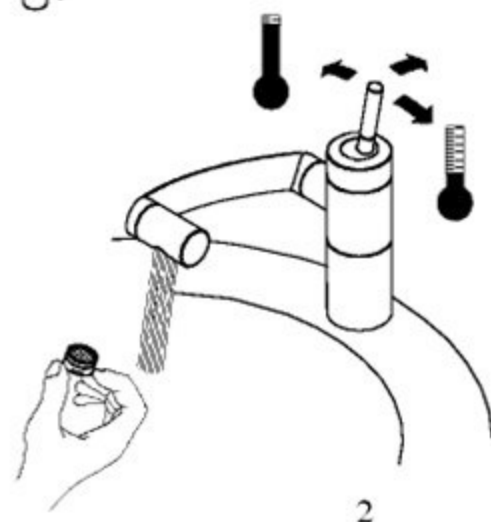
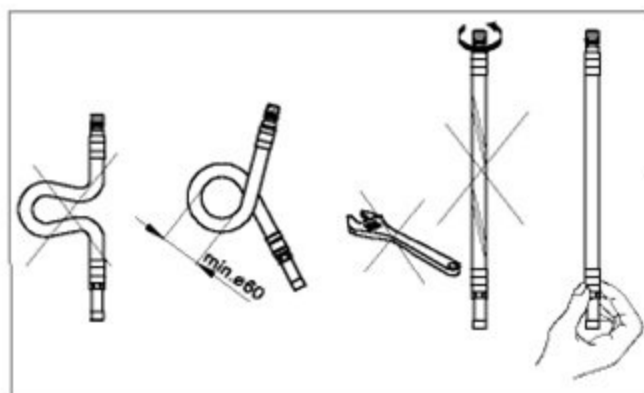


A,B: 50–1000 kPa (0.5–10 bar)



1



2