

**USE INTRODUCTION FOR
AUTOMATIC URINAL FLUSHER**

CATALOGUE

Function and Feature	1
Specification and Model	2
Unit name	2
Installation show	3
Installation approach	4
Inspection and adjustment	8
Use introduction	9
Protection and Maintain	10
Warning proceeds	11
Problem elimination	12

➤ FUNCTION & FEATURE

SELF-FIUSH

It will flush automatically through infrared detection units

WATER-SAVING

It will flush one or two sections intelligently as per its different occupied time.it will flush 1.5-3L water flux when occupied within 10s And it will flush 2-4L water flux when occupied over 10S note water pressure should between 0.3Mpa and 0.6mpa.

SANITATION

When one leaves detection zone, the machine will flush automatically. Efficient cleaning makes us convenient and hygienic,which prevent us from mutual bacteria infections.

INTELLIGENCE

It is controlled by micro-computer and self-adjust detection Zone. No need to manual adjustment.

LOW POWER CONSUMPTION

Its 4AA alkaline batteries can be used for two and a half year at 200 cycles a day (note:battery should be produced by brand manufacturer and shouldn't be stocked half year from its production date.

AGAINST FOUL ODOR

It will flush automatically every 24 hours if it haven't been occupied, which can avoid foul oder around room when the trap is sry.

INSTALLATION CHARACTER

With concealed installation design,the wall should be deeper than 10cm.

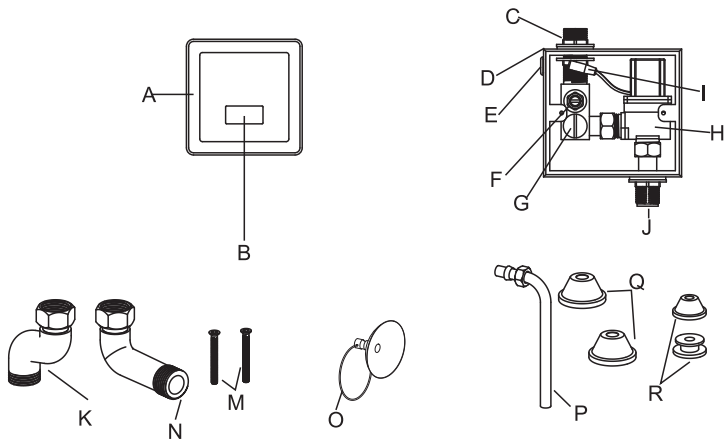
SELF-CLOSE FOR ABNORMAL POWER

when power supply AC mode is cut off suddenly or battery DC mode is power out, it will self-close.

» SPECIFICATION & MODEL

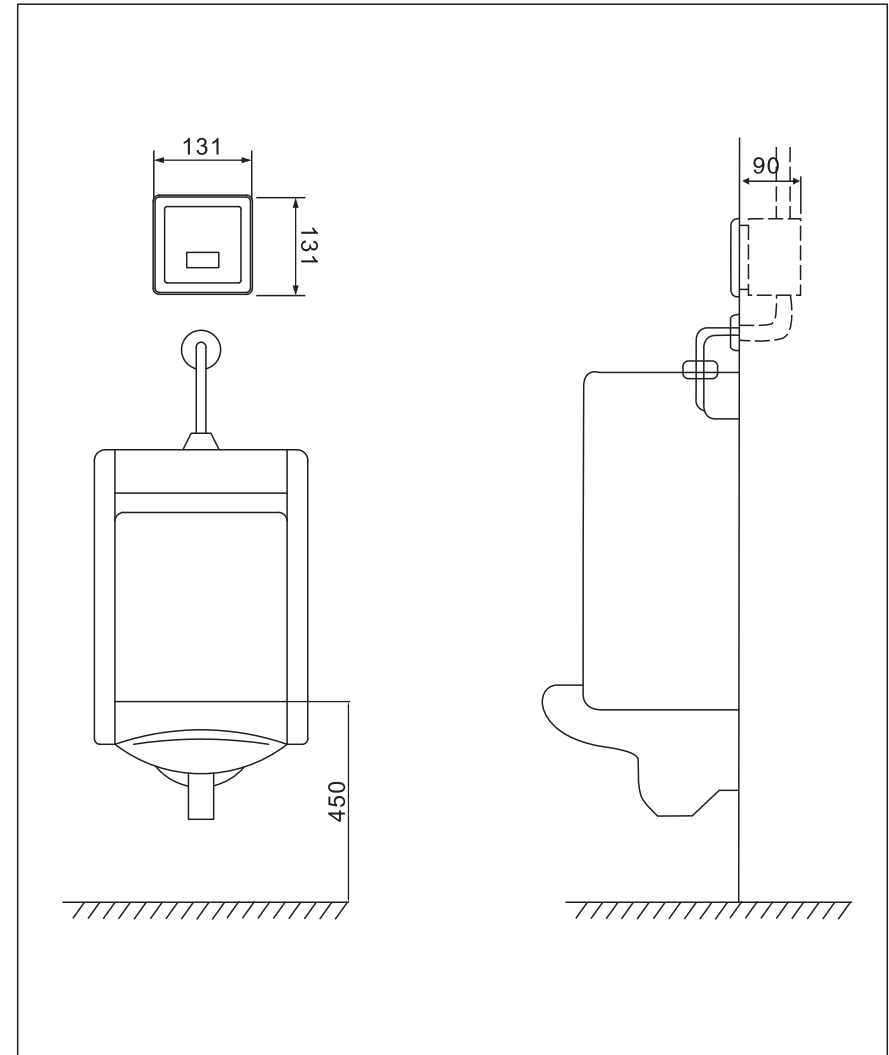
Specification	2101DC	Remark
Power voltage	DC6V 4AA alkaline batteries	
Power consumption in static	≤0.5mw	4AA alkaline batteries can be used for 2years at 300 cycles every day
Detection zone	40-70cm	
water pressure	0.05 ~ 0.6MPa	
Ambient temperature	0.1~45°C	
Diameter of inlet/outlet pipe	G1/2" (DN15)	

» UNIT NAME



A: Detection Sheet B: Sensor display C: inlet pipe D: concealed case
 E: installation hole F: water control valve G: strainer cover H: impulse valve
 I: impulse signal socket J: outlet pipe K: S-trap N: 7-trap M: fastened bolt
 O: plastic cupula Q: decorative cover R: decorative rubber P: bend

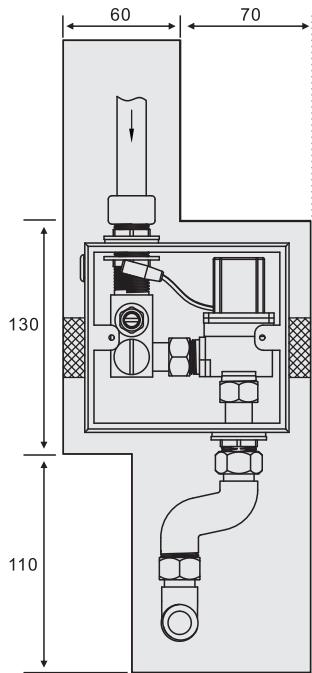
» INSTALLATION SHOW



» INSTALLATION APPROACH

INSTALLATION NOTES:

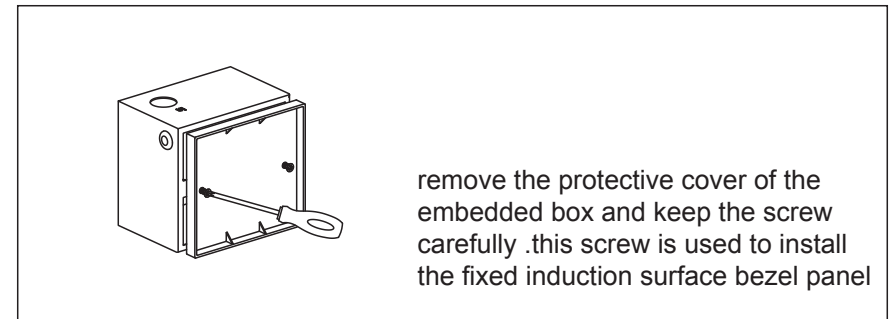
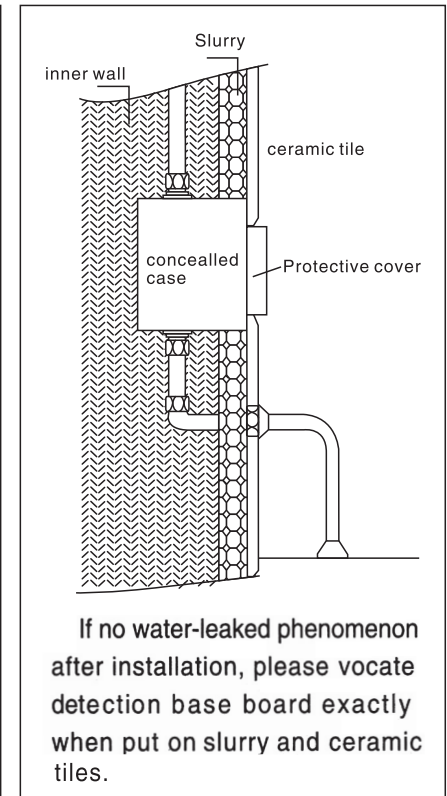
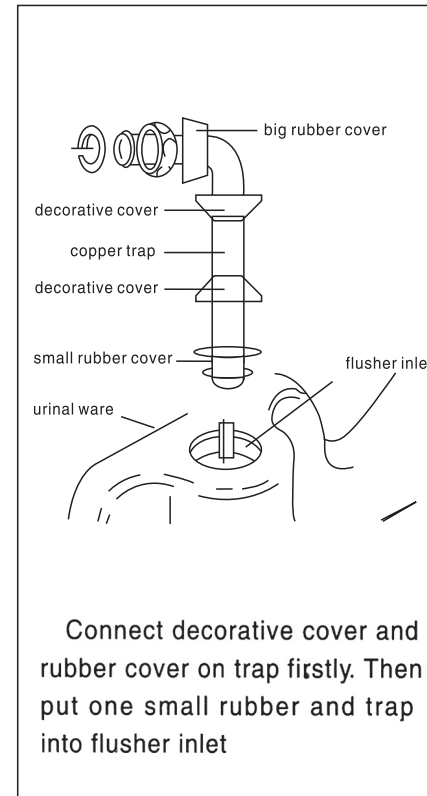
- ※ Please read carefully installation introduction and design reasonable installation plan.
- ※ Please don't tie some reflected objects on the wall in front of sensor display such as stainless steel or some other light-electro sensor machine, which can avoid error work.
- ※ Please don't install it under strong light, which can avoid the decrease of machine character.
- ※ Please don't flush with water which is not treated or contains a lot of sundries.
- ※ Please don't flush sensor part with water or drench it in water.



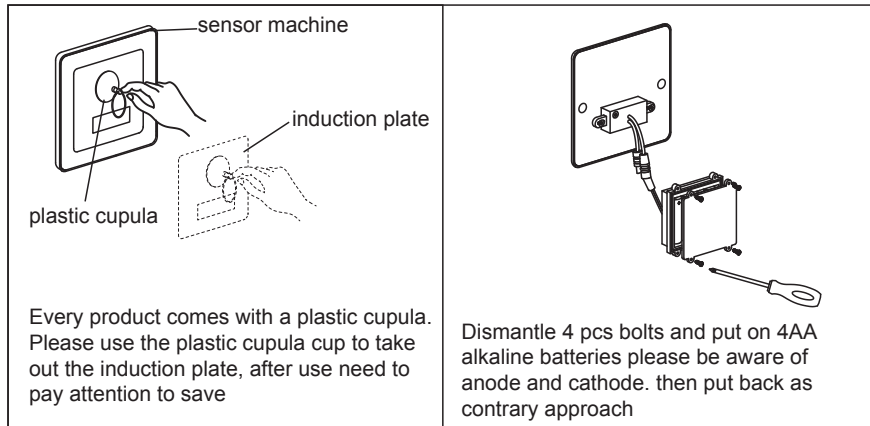
Referring to installation location as left picture and dig wall 70mm depth, put into concealed case. Block wood on two sides of it, which can adjust the case in level And connect with inlet pipe then.

Note: check water circuit's every connector. Install it when no water-leaked phenomenon.

» INSTALLATION APPROACH

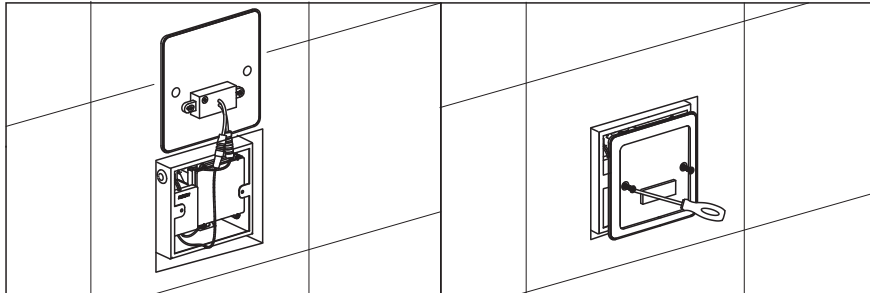


» INSTALLATION APPROACH



Note

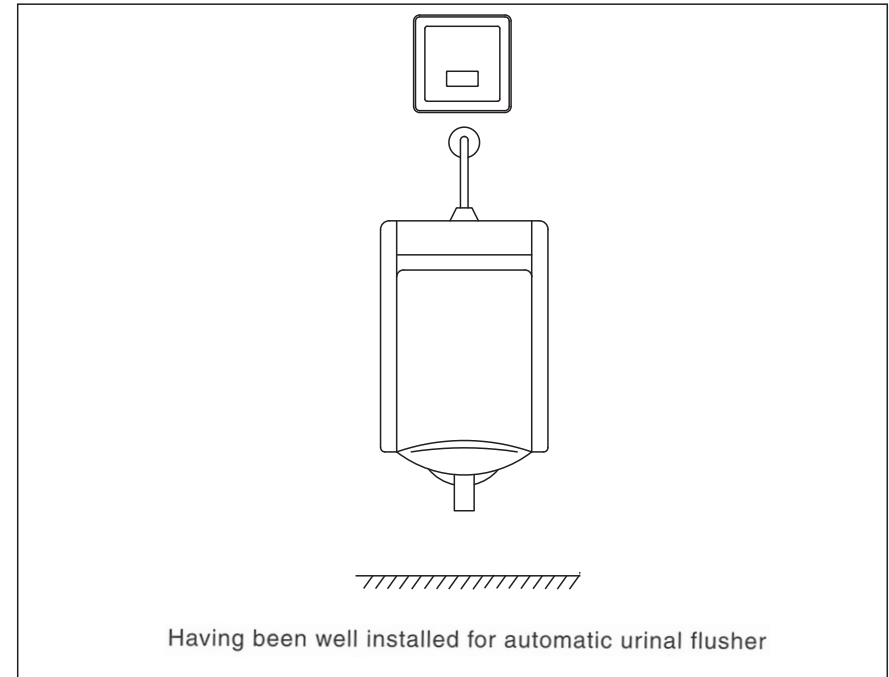
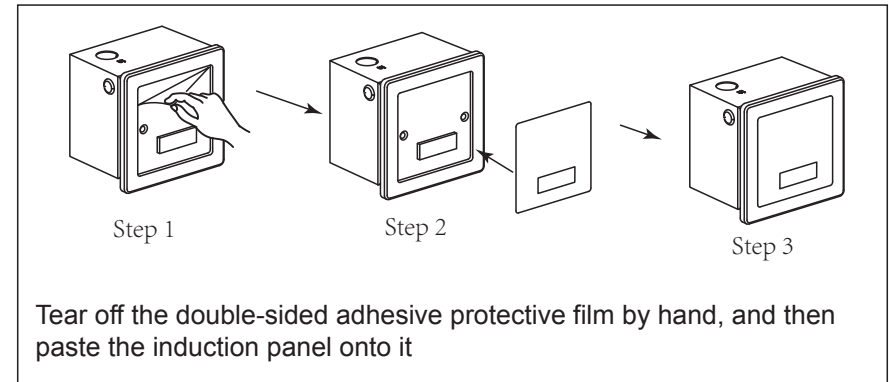
- 1.The battery should be 1.5V AA alkaline model
- 2.Different brands and different states batteries can not be used together
- 3.Batteries'span life is only 1-2 months if use non-alkaline battery
- 4.The machina will self-adjust detection zone in first 3 minutes after power supply.please don't use it in this period so that it can self-adjust reasonal detection zone

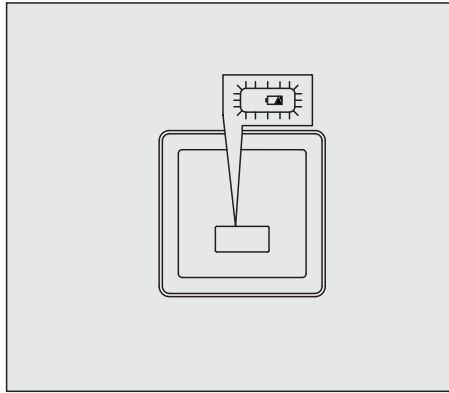


Find the solenoid valve socket in the embedded box and insert the output control plug of the inductor in sequence.

install steadily mainframe on ceramic tile ,fastened it with M4 bolts and back stainless sheet on the centre of maintramel

» INSTALLATION APPROACH



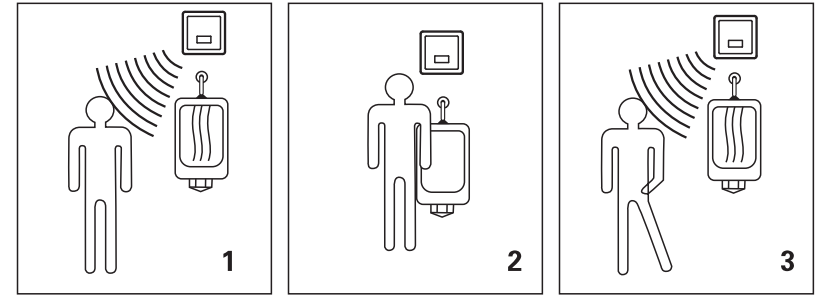


DETECTION AND POWER OUT INSTRUCTIONS:

1. Light will blink one time every 3S after detection.
2. Light will blink one time every 4S when battery is power out. so you should change new battery.

Note:

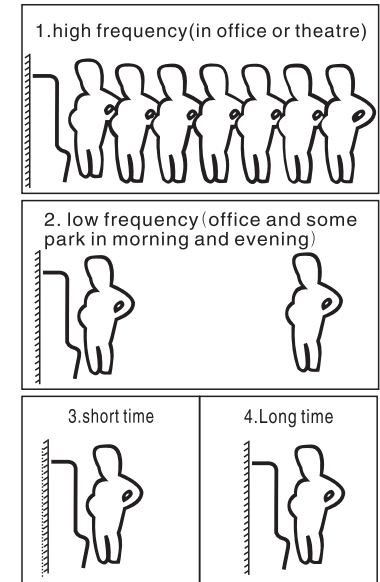
This product can be self-adjusted. and have a strict inspection before Prior sale. If no special need, please don't adjust it by yourself.

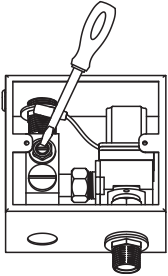


Red light will blink one time every 3S when one stands in detection zone. It flushes 2S firstly, then it will flush 6S once one leaves the zone.

INTELLIGENT FLUSHING MODE

1. Detection confirmation time is 3S
2. common state; when one approaches detection zone about 3S, the flusher will flush 2S for first section. when leaving the zone it will flush (A)4S or 6S (B) for second section.
 - A: There are 4S for second section flushing when in detection zone within 10S.
 - B: There are 6s for second section flushing when in the zone over 10S.
3. According to time of flusher which isn't used, we measure the use frequency
 - ※ If flusher isn't used for a certain time (over 1 minutes), it can be seemed as common use frequency and it will execute common two sections flushing
 - ※ Flusher isn't used for a short time (with in 1 minute), it can seemed as frequent use There is only last section flushing and the time of flushing is decided by occupied time (refer to point A and B). If there are five times continous frequent use as above, there is one time for common two sections flushing..

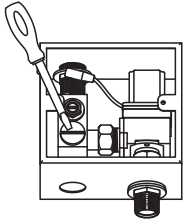





when water flux is small of none, please adjust water volume. Turn water control valve with screwdriver to adjust water flux (turning in Sequence reduces water volume. On the contrary, increases water Volume

➤ STRAINER CLEANING

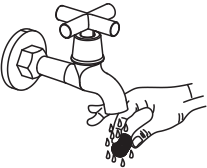
1. Please clean st ainer when machine is used in first phase or its ater flux is lowe
2. shut down water control valve before opening strainer cover.



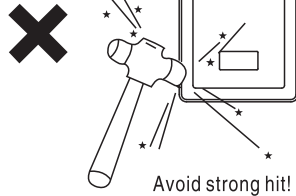
First step: turn in retorse round and put down strainer cover



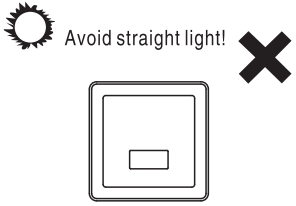
Second step: take out strainer net



Third step: clean the strainer net with water, install strainer. net and straner cover as contrary approach



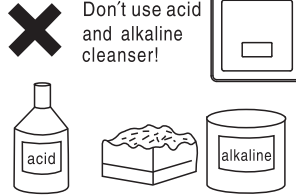
Avoid strong hit!



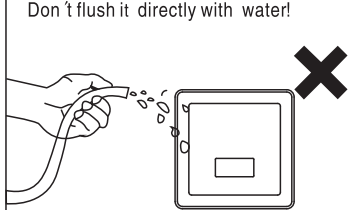
Avoid straight light!

There are electronic components and some plastic elements in machine. so it should avoid strong hit .

It should avoid sun-shine or strong light glaring on sensor display, which can avoid error work.



Don't use acid and alkaline cleanser!



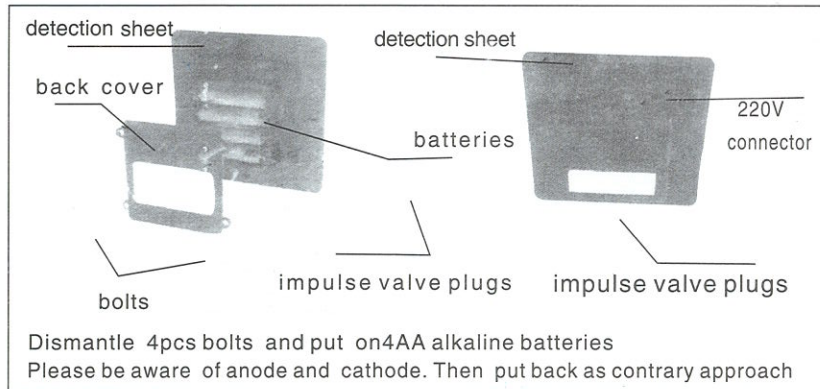
Don't flush it directly with water!

when clean the mainframe in everyday maintain, we can't clean it with erosion cleanser or water directly. we should plur advanced wax around it and then clean it with tidy sponge.

➤ PROBLEM ELIMINATION

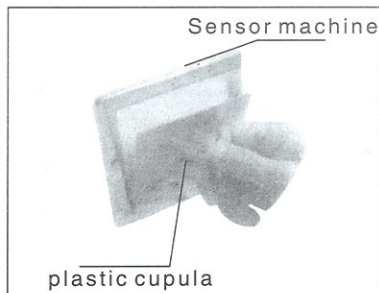
Phenomenon	Trouble reason	Elimination
Not flush	batteries power-out(DC mode products)	change new ones
	Power cut (AC mode products)	Await power supply
	Power supply trouble(AC mode products)	check power supply case
	No water	Await water
	Too dirty for strainer	clean strainer
	Dirt or other object on sensor display	clean dirt or move object
	water pressure not under range	re-design as per specification
Not closed	Batteries power-out (DCmode products)	change new batteries
	power cut (AC mode products)	Await power supply
	power supply trouble (AC mode products)	Check power supply case
	water pressure not under range	re-design as per specification
	Detection distance is self-adjusted from far to near	await 1 to 2 minutes
Little water after closed	lower water pressure	re-design as per specification
	Too dirty for strainer	clean strainer
Too small water flux	adjust too small flux	Adjust water control valve
	too dirty for strainer	clean strainer
	too lower water pressure	re-design as per specification
Too large water flux	adjust too large flux	adjust water control valve
short for battery's span life	Not use alkaline battery or use fake of battery (DC mode Products)	change specified battery

» INSTALLATION APPROACH

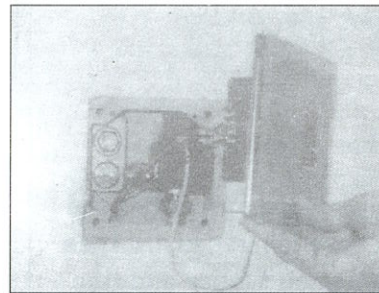


Note

1. The battery should be 1.5V AA alkaline model.
2. Different brands and different states batteries can not be used together.
3. Batteries' span life is only 1-2 months if use non-alkaline battery.
4. The machine will self-adjust detection zone in first 3 minutes after power supply. Please don't use it in this period so that it can self-adjust reasonable detection zone.

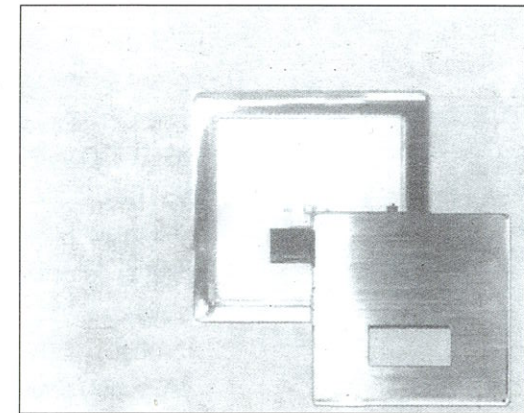


It will be enclosed one plastic cupula. Please pull out detection sheet when need. Then preserve it well.

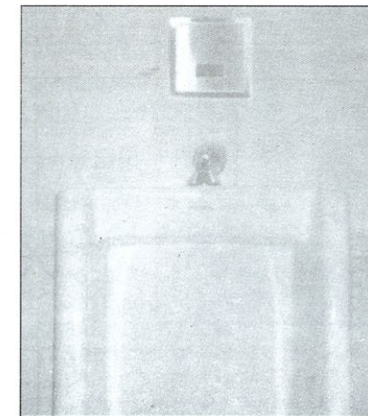


Find out impulse signal socket in concealed case. Insert signal plugs into it in sequence. If in AC220V mode, please connect power supply line with concealed case power connector.

» INSTALLATION APPROACH



Install steadily mainframe on ceramic tile, fastened it with M4 bolts and put back stainless sheet on the centre of mainframe.



Having been well installed for automatic urinal flusher